

Maintenance Sets

Hydraulic system components

JACKS

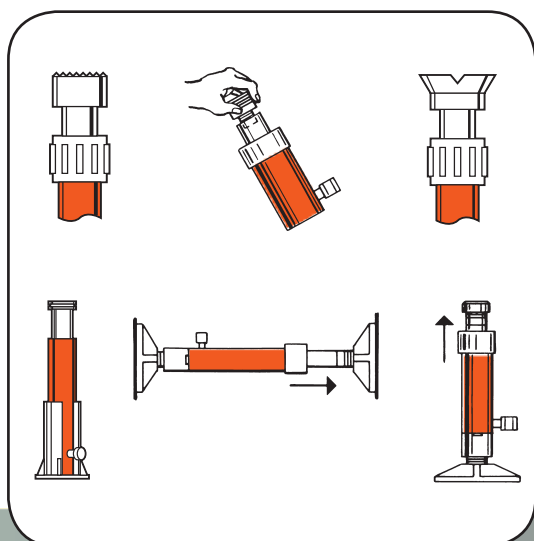


IM10E



IM10H

APPLICATION FLEXIBILITY



- Matched hydraulic system components, adapters and hydraulic spreader, contained in a rugged carrying and storage case.
- Portable sets are ideal for pushing, pulling, lifting, straightening, or clamping at remote job sites.
- Cylinders in set are rated at 10 tons at 700 bar. Set components are designed for full rated capacity of cylinders.
- Set IM10H includes hand operated pump. Set IM10E includes the Quarter Horse® electrically driven portable power unit.

ORDERING INFORMATION

Description	CONTENTS OF SET	NO. IM10E Order No.	Description	CONTENTS OF SET	NO. IM10H Order No.	NO. IM10L Order No.
Hydraulic spreader		HS2000	Hydraulic spreader		HS2000	HS2000
Hand pump (electric)		PE102 E220 or E110	Hand pump		P59	P59L
700 bar hyd. gauge		9041E	700 bar hyd. gauge		9041E	9041E
Tee adapter		9670	Tee adapter		9670	9670
Hose & coupler assembly		9754E	Hose & coupler assembly		9754E	9754E
90° V base		25395	90° V base		25395	25395
Threaded coupler		25664	Threaded coupler		25664	25664
Serrated saddle		31772	Serrated saddle		31772	31772
Flat base		32325	Flat base		32325	32325
Extension rod - 127mm length		350897	Extension rod - 127mm length		350897	350897
Extension rod - 254 mm length		38909	Extension rod - 254mm length		38909	38909
Extension rod - 457 mm length		350898	Extension rod - 457mm length		350898	350898
Cyl. support base		420062	Cyl. support base		420062	420062
Cyl. ass'y, 10 ton, 257 mm stroke		C1010CBT	Cyl. ass'y, 10 ton, 156mm stroke		C106CBT	C106CBT
Cyl. ass'y, 10 ton, 156 mm stroke		C106CBT	Storage box		350722	350722
Storage box		350722			Prod. Weight	Prod. Weight
					40,4 kg.	36,8 kg.

Prod. Weight - 48,1 kg.