

Economy TOE JACKS

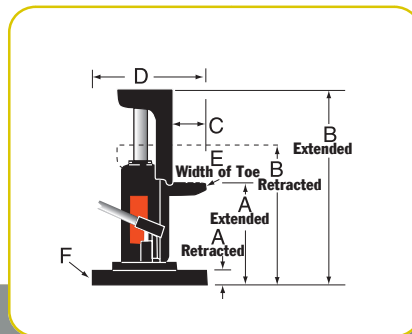
2, 5 & 10 Ton

Just the power you need at a price you can afford.



JACKS

- These bottle jack-style toe jacks are loaded with many of the same features as our standard bottle jacks, but the toe-lift feature and swiveling pump handle socket make them ideal for machinery lifting and positioning.
- An internal pressure relief provides added safety by limiting the jack's lifting capability to the capacity of the toe.
- Spring return is an added feature on the larger jacks.
- Swiveling pump handle assembly available on the 5- and 10-ton models. The swiveling jack assembly allows you to access and pump the unit from numerous positions.



DIMENSIONS

| Order Number | A | | B | | C | D | E | F |
|--------------|-----------|-----------|-----------|-----------|------|-----|------|-------|
| | Ret. (mm) | Ext. (mm) | Ret. (mm) | Ext. (mm) | | | | |
| J24T | 16 | 140 | 232 | 356 | 47,5 | 181 | 51 | 125 |
| J55T | 25 | 149 | 292 | 476 | 47,5 | 257 | 76,2 | 184,2 |
| J106T | 32 | 181 | 327 | 476 | 64 | 292 | 100 | 241 |

ORDERING INFORMATION

| Cap. Tons | Max Lift Stroke (mm) | Order Number | Strokes to Handle Effort | | Carry Handle | Metric tons at 700 bar | Product Wt. (kg) |
|-----------|----------------------|--------------|--------------------------|--------------------------|--------------|------------------------|------------------|
| | | | Extend | Piston at Max Load 25 mm | | | |
| 2 | 121 | J24T | 14 | 19 | Yes | 1,8 | 8,3 |
| 5 | 121 | J55T | 22 | 27 | Yes | 4,5 | 24 |
| 10 | 146 | J106T | 31 | 33 | Yes | 9,1 | 38 |