

# High Tonnage CYLINDER RC SERIES

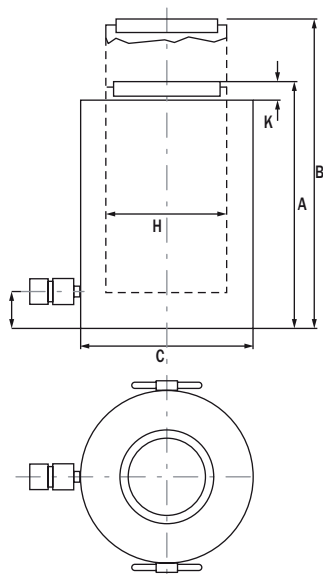
## 740 - 1220 Ton Single-Acting, Load Return

High-tonnage, low cycle,  
gravity return.

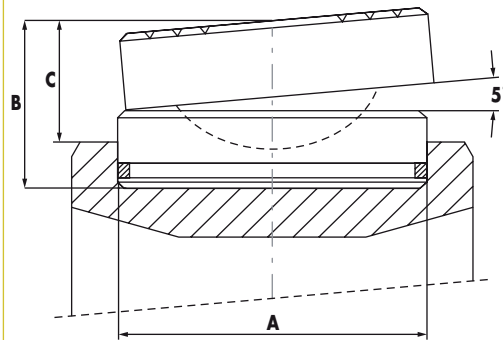
- Overflow port (“weep hole”) prevents piston from being overextended under load.
- Alloy heat treated piston and body for reliability and strength.
- Plated piston rod increase corrosion resistance and give superior bearing qualities.



Single-Acting High Tonnage Cylinders



Swivel Cap



Order No.	Used with Cyl.	A mm	B mm	C mm	Product Wt. kg
2000822	RC740*C	200	79	56	19
2000823	RC965*C	249	104	76	40
2000825	RC1220*C	323	175	124	113

Cyl. Cap. (tons)	Stroke (mm)	Order No.	Oil Cap. (cm <sup>3</sup> )	A Retracted Height (mm)	B Extended Height (mm)	C Outside Dia. (mm)	F Base to Port (mm)	H Piston Rod Dia. (mm)	K Piston Rod Protrusion (mm)	Bore Dia. (mm)	Cyl. Effective Area (cm <sup>2</sup> )	Metric Tons @ 700 bar	Product Wt. (kg)
740	50	RC7402C	4.811	265	315	430	65	350	9	350	962	673,5	300
740	150	RC7406C	14.132	365	515	430	65	350	9	350	962	673,5	416
740	250	RC74010C	24.053	465	715	430	65	350	9	350	962	673,5	530
965	50	RC9652C	6.283	290	340	490	70	400	10	400	1.256,6	879,7	423
965	150	RC9656C	18.850	390	540	490	70	400	10	400	1.256,6	879,7	577
965	250	RC96510C	31.416	490	740	490	70	400	10	400	1.256,6	879,7	725
1220	50	RC12202C	7.952	415	465	550	80	450	10	450	1.590,4	1.113,3	766
1220	150	RC12206C	23.856	440	665	550	80	450	10	450	1.590,4	1.113,3	960
1220	250	RC122010C	39.761	615	865	550	80	450	10	450	1.590,4	1.113,3	1.147