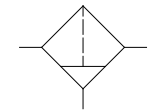


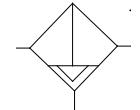
### AISI316L 3/4"-1"NPT Filter – F serie

Filtro da 3/4" - 1"NPT in AISI316L – serie F

- Suitable for automation equipment to onshore, offshore, pharmaceutical, medical and food applications
- Full material traceability
- Excellent stability and repeatability
- Accurate adjustment and high flow capacity
- ATEX 2014/34/UE - II2GD c IICT6 X / IP66
- & approved
- Adatto per automazione in applicazioni marine, petrolchimiche, farmaceutiche, medicali e alimentari
- Completa rintracciabilità dei materiali
- Eccellente stabilità e ripetibilità
- Precise regolazioni ed elevate portate
- ATEX 2014/34/UE - II2GD c IICT6 X / IP66
- Approvato ed



Manual Drain



Automatic Drain

|  |   |
|--|---|
| Media / Fluido   | Compressed air, inert gases, sweet and sour gases                                 |
| Port thread / Conessioni                                       | 3/4" - 1" NPT   |
| Gauge Connection<br>Connessione manometro                      | 1/4" NPT (1/8" NPT option)  |
| Filtering element<br>Elemento filtrante                        | stainless steel 25micron standard   |
| Max inlet pressure /<br>Pressione massima di ingresso          | 30bar   |
| Drain valve/ Scarico condensa                                  | Manual or automatic   |
| Flow Rate (@6 bar Inlet pressure,<br>delta P=0.35bar)/ Portata | 3/4" - 7500dm <sup>3</sup> /min Cv=12,2<br>1" - 10000dm <sup>3</sup> /min Cv=16,3 |
| Working temperature /<br>Temperatura di esercizio              | -20°C up to 80°C (NBR); -25°C up to 90°C (FKM);<br>-40°C up to 80°C (EPDM) *      |

Air supply must be dry enough to avoid ice formation at temperatures below +2°C (+35°F).

\*Special version available for -55°C up to 90°C

**It provides excellent filtering for a wide range of applications. Rugged and corrosion-resistant – made of 316L stainless steel /** Permette una filtrazione accurata per una vasta gamma di applicazioni. Robusto e resistente alla corrosione – Costruito in acciaio inossidabile 316L

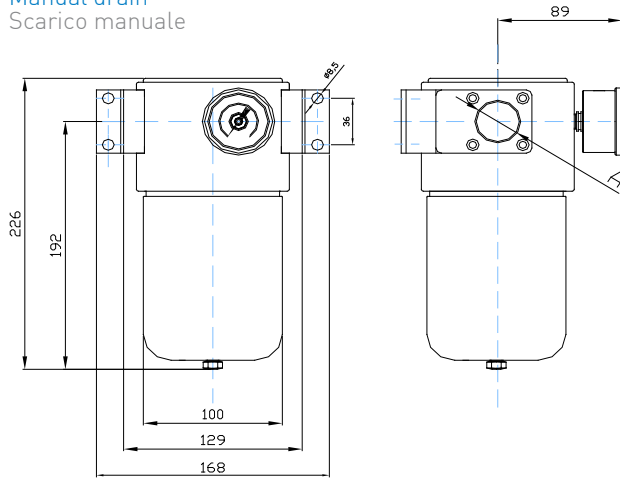
| BUILDING MATERIALS   | Materiali costruttivi  |
|--|--|
| Body, bonnet, bowl and internals in stainless steel AISI316 L top NACE MR 0175 | Corpo, coperchio, tazza ed interni in acciaio inossidabile AISI316L conforme ai requisiti dello standard NACE MR0175 |
| Lock and panel nuts, fixing screws AISI316 stainless steel or galvanized steel | Dadi di bloccaggio e pannello, viti di fissaggio acciaio inossidabile od acciaio galvanizzato                        |
| Diaphragm and valve assembly in elastomer and AISI316 stainless steel          | Assieme diaframma ed assieme valvola in elastomero ed acciaio inossidabile AISI316                                   |
| Filtering element in AISI316 stainless steel                                   | Elemento filtrante in acciaio inossidabile AISI316   |
| Seals in elastomer   | Guarnizioni in elastomero  |

## Overall dimension

Dimensioni di ingombro

### Manual drain

Scarico manuale

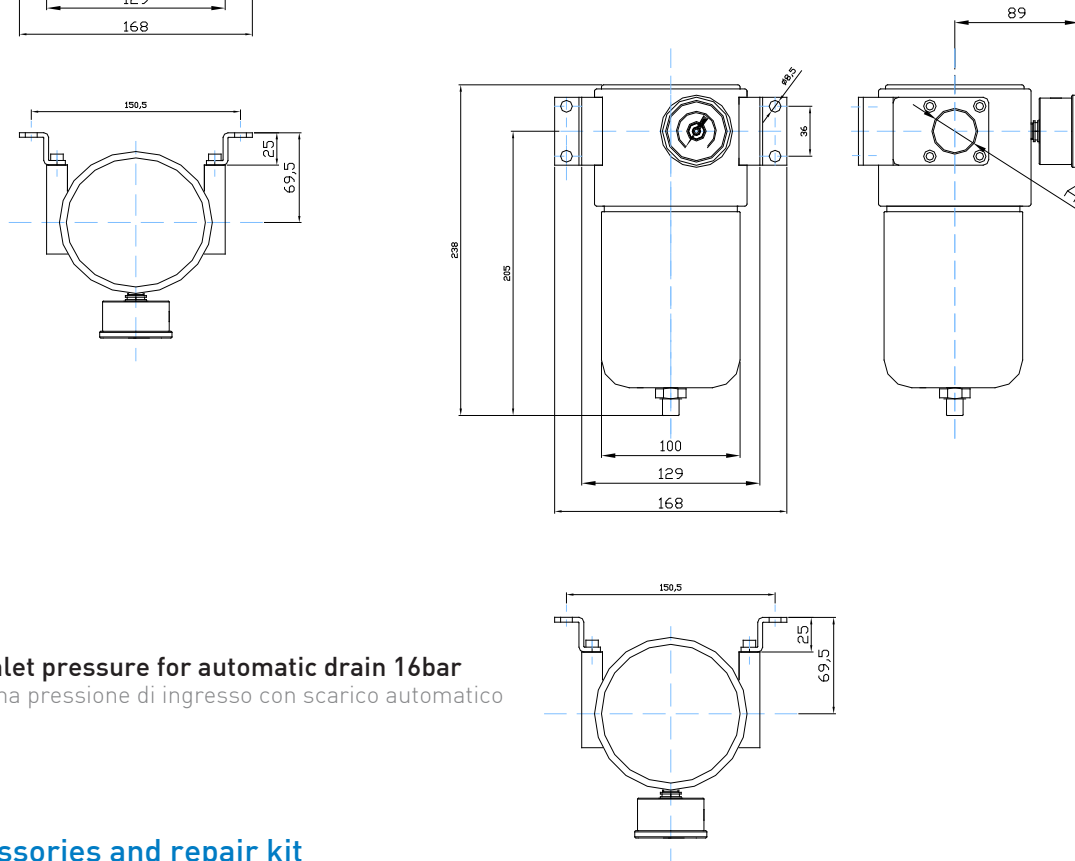


F12 A = 3/4"

F16 A = 1"

### Automatic drain

Scarico automatico



### Max inlet pressure for automatic drain 16bar

Massima pressione di ingresso con scarico automatico 16bar

## Accessories and repair kit

Accessori e ricambi

|   |   |
|---|---|
| Maintenance kit / Kit manutenzione  | Items<br>K-F12-* -AL-** [3/4"]<br>K-F16-* -AL-** [1"]                 |
| Pressure gauge DN40mm, SS case,<br>Bar+psi+kpa range / Manometro<br>DN40mm, tutto inox, scala Bar+psi+kpa | 0-2,5 bar MBS6P4S2PN04<br>0-4bar MBS6P4S2PN05<br>0-10bar MBS6P4S2PN07 |
| Bracket and screws / Staffa e Viti  | R-16-STSS   |

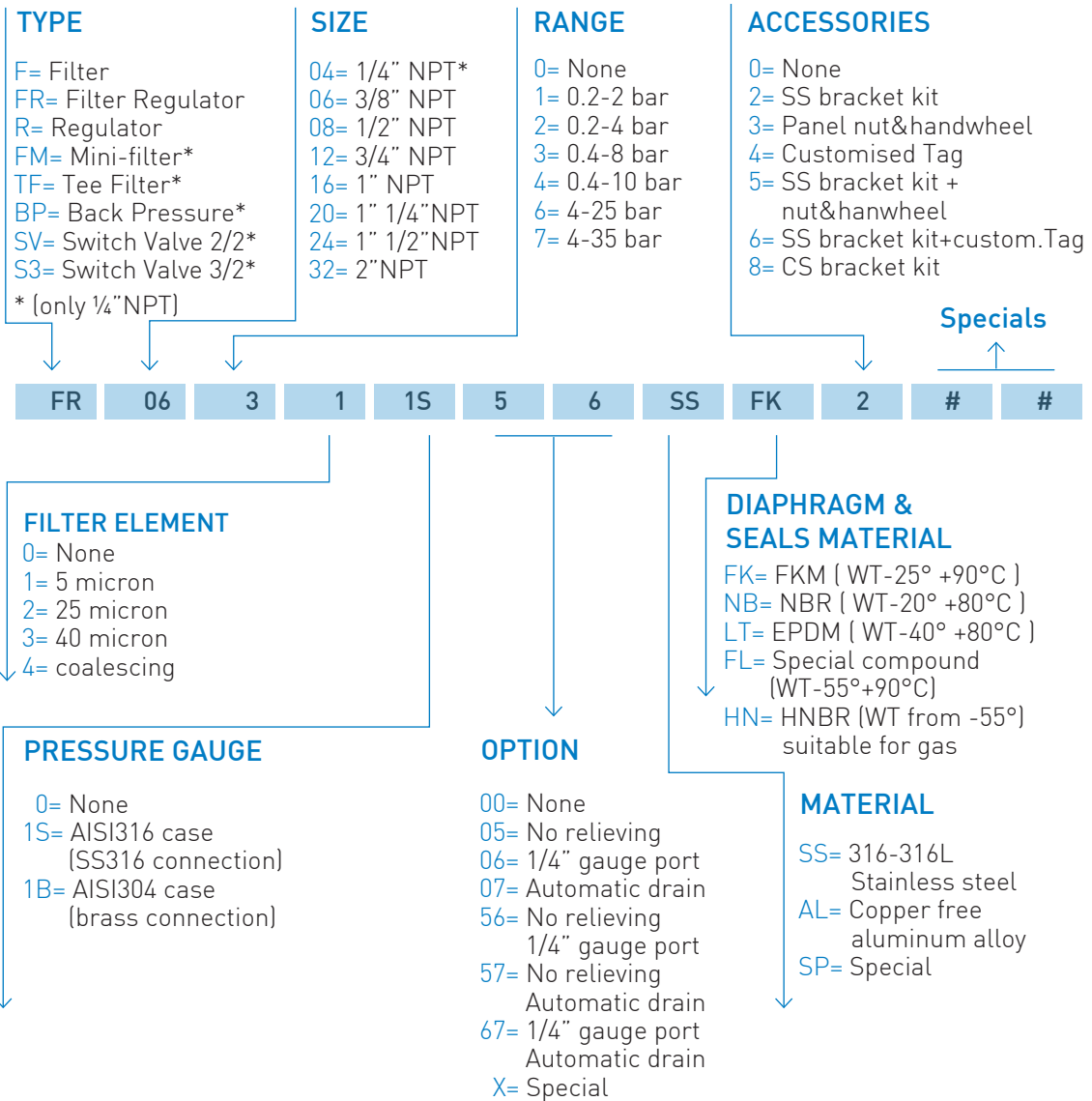
\* Refers to filter element option: 1→5 micron 2→25 micron 3→40 micron 4→coalescing

\*\* Refers to seals type:

FK→FKM NB→NBR LT→EPDM FL→Low temperature compound HN→HNBR

# Ordering information

## Come ordinare



### CODE EXAMPLES

FR 06 3 3 1S 0 7 SS FK 2

**3/8"NPT, SS316, 0 to 8 bar range, filter regulator, with 40 micron filtering element, relieving, SS pressure gauge, automatic drain, ss bracket kit and FKM diaphragm & seals**  
 Filtro regolatore da 3/8"NPT in AISI316, range regolato 0/8 bar, elemento filtrante da 40 micron, manometro tutto inox, relieving, scarico condensa automatico, staffa inox, diaframma e tenute in FKM

FR 06 3 1 00 0 0 SS FK 0

**3/8"NPT, SS316, 0 to 8 bar range, filter regulator, with 5 micron filtering element, relieving and FKM diaphragm & seals**  
 Filtro regolatore da 3/8"NPT in AISI316, range regolato 0/8 bar, elemento filtrante da 5 micron, relieving, diaframma e tenute in FKM

