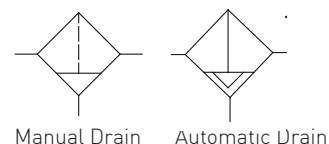


AISI316L 1/4" - 3/8" - 1/2" NPT Filter – F serie

Filtro da 1/4" - 3/8" - 1/2"NPT in AISI316L – serie F



- Suitable to automation equipment, to onshore, offshore, pharmaceutical, medical and food applications
- Full material traceability
- High flow capacity
- ATEX 2014/34/UE - II2GD c IICT6 X^{Ex} / IP66
- approved

- Adatto per automazione in applicazioni marine, petrolchimiche, farmaceutiche, medicali e alimentari.
- Completa rintracciabilità dei materiali
- Elevate portate
- ATEX 2014/34/UE - II2GD c IICT6 X^{Ex} / IP66
- Approvato ed



Media / Fluido	Compressed air, inert gases, sweet and sour gases
Port thread / Connessioni	1/4"-3/8"-1/2" NPT
Gauge Connection Connessione manometro	1/8"NPT (1/4"NPT option)
Filtering element Elemento filtrante	Coalescing or SS316 5, 25, 40 micron
Max inlet pressure Pressione massima di ingresso	30bar
Drain valve / Scarico condensa	manual or automatic
Flow Rate (at 6 bar Inlet pressure, delta P=0.5bar) / Portata	1/4" - 1000dm³/min Cv=1,4 1/2" - 4815dm³/min Cv=6,6
Working Temperature Temperatura di esercizio	-20°C up to 80°C (NBR); -25°C up to 90°C (FKM); -40°C up to 80°C (EPDM) *

Air supply must be dry enough to avoid ice formation at temperatures below +2°C (+35°F).

*Special version available for -55°C up to 90°C

It provides excellent filtration for a wide range of applications. Rugged and corrosion resistant - made of 316/316L stainless steel.

Permette una filtrazione accurata per una vasta gamma di applicazioni. Robusto e resistente alla corrosione - costruito in AISI316/316L.

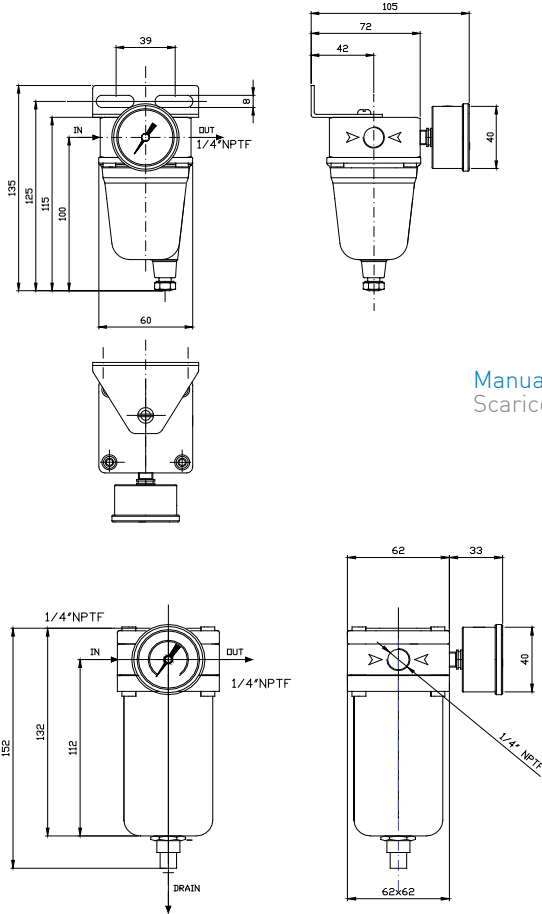
BUILDING MATERIALS	Materiali costruttivi
Body, bonnet, bowl in Stainless steel AISI316L to NACE MR0175	Corpo, coperchio, tazza in acciaio inossidabile AISI316L secondo NACE MR0175
Bracket, lock and panel nuts, fixing screws in 316 stainless steel	Staffa, dadi di bloccaggio e pannello, viti di fissaggio in acciaio inossidabile AISI316
Seals & gaskets in elastomer	Tenute e guarnizioni in elastomero
5, 25&40micron filtering element in AISI316 stainless steel	Elemento filtrante da 5, 25 e 40 micron in acciaio inossidabile AISI316
Coalescing filtering element in bonded micro-fibre	Elemento filtrante a coalescenza in microfibra

BT-FSS/C16A

Overall dimension

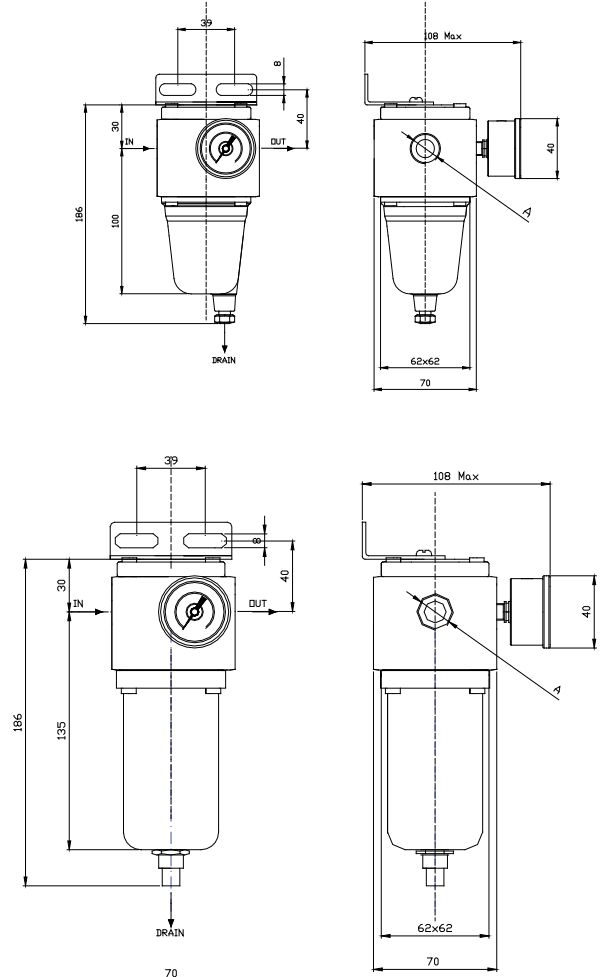
Dimensioni di ingombro

F04 serie



Manual drain
Scarico manuale

F06, F08 serie



Automatic drain
Scarico automatico

F04 A = 1/4"

F06 A = 3/8"

F08 A = 1/2"

Max inlet pressure for automatic drain 16bar

Massima pressione di ingresso con scarico automatico 16bar

Accessories and repair kit

Accessori e ricambi

Maintenance kit / Kit manutenzione	Items K-F04-* -SS-** [1/4"] K-F06-* -SS-** [3/8"] K-F08-* -SS-** [1/2"]
Pressure gauge DN40mm, all SS Bar+psi+kpa range / Manometro DN40mm, tutto inox, scala Bar+psi+kpa	0-2,5 bar MBS6P4S2PN04 0-4bar MBS6P4S2PN05 0-10bar MBS6P4S2PN07
Bracket and lock nut / Staffa e Dado	SQ-FR04/S

* Refers to filter element option: 1→5 micron 2→25 micron 3→40 micron 4→coalescing

** Refers to seals type:

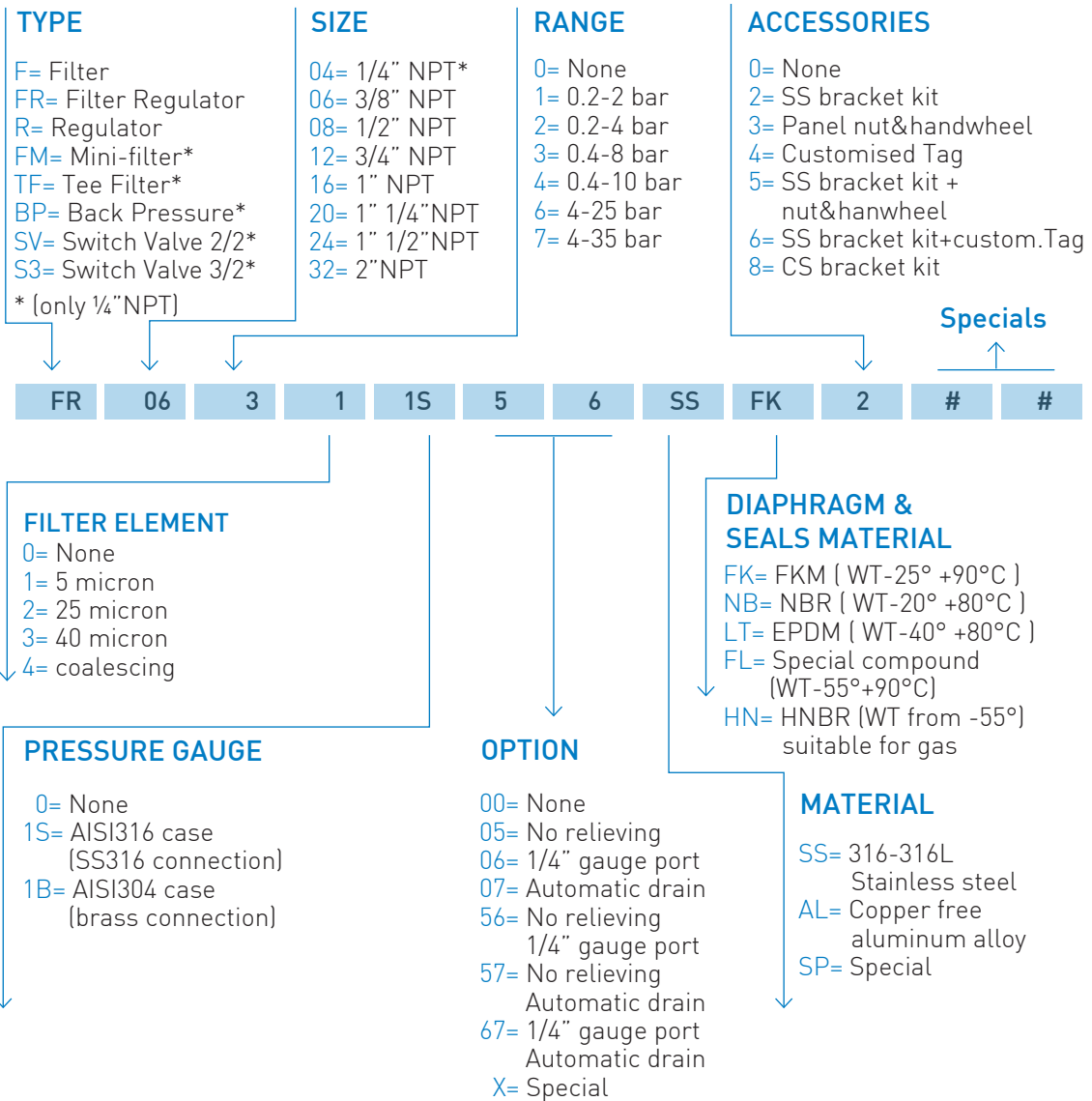
FK→FKM NB→NBR LT→EPDM FL→Low temperature compound HN→HNBR

SITECNA® SRL www.sitecna.eu info@sitecna.eu

Our policy is one of continued research and improvement. We therefore reserve the right to amend, without notice, the specifications given in this document.

Ordering information

Come ordinare



CODE EXAMPLES

FR 06 3 3 1S 0 7 SS FK 2

3/8"NPT, SS316, 0 to 8 bar range, filter regulator, with 40 micron filtering element, relieving, SS pressure gauge, automatic drain, ss bracket kit and FKM diaphragm & seals
 Filtro regolatore da 3/8"NPT in AISI316, range regolato 0/8 bar, elemento filtrante da 40 micron, manometro tutto inox, relieving, scarico condensa automatico, staffa inox, diaframma e tenute in FKM

FR 06 3 1 00 0 0 SS FK 0

3/8"NPT, SS316, 0 to 8 bar range, filter regulator, with 5 micron filtering element, relieving and FKM diaphragm & seals
 Filtro regolatore da 3/8"NPT in AISI316, range regolato 0/8 bar, elemento filtrante da 5 micron, relieving, diaframma e tenute in FKM

